



EACH MODEL SOLD SEPARATELY  
 Cada modelo vendido por separado  
 Chaque modèle vendu séparément

TRAINING TABLE  
 Mesa de entrenamiento  
 Tableau de formation



**Important:**  
 DO NOT USE POWER TOOLS TO ASSEMBLE YOUR FURNITURE.  
 POWER TOOLS MAY STRIP OR DAMAGE THE PARTS.

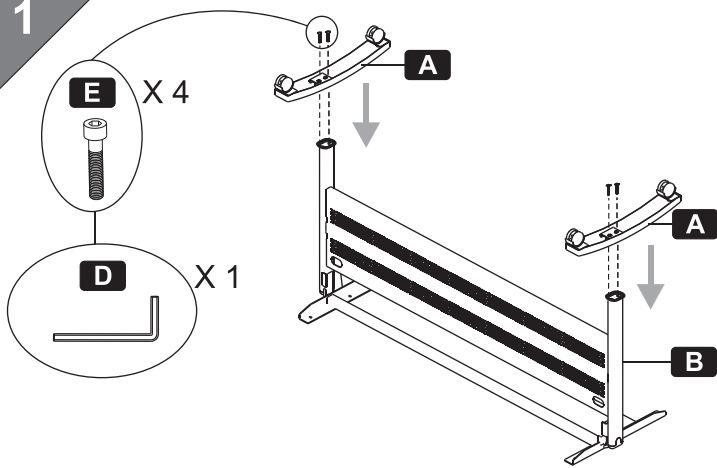
**Importante:**  
 NO USE HERRAMIENTAS ELECTRICAS PARA MONTAR SUS MUEBELS.  
 HERRAMIENTAS ELECTRICAS SE PUEDEN DAÑAR O ESTROPEAR LOS COMPONENTS.

TRAINING TABLE TOP Tape de mesa de entrenamiento Dessus pour table de formation	MATCH usa match	TRAINING TABLE BASE Base de mesa de entrenamiento Socle à table de formation
<b>ALE-VA72HR4824</b> ← <b>ALE-VA72RE3624</b> ← <b>ALE-VA72TZ4824</b> ← <b>ALE-VA72RE4824</b> ←		<b>ALE-VA734836</b>
<b>ALE-VA72RE6024</b> ← <b>ALE-VA72RE7224</b> ←		<b>ALE-VA737260</b>

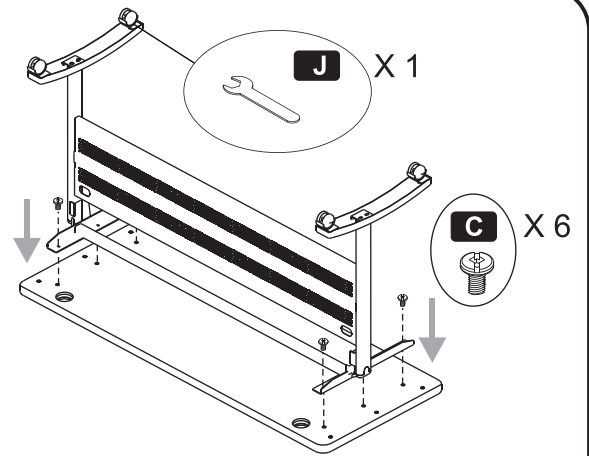
TRAINING TABLE TOP Tape de mesa de entrenamiento Dessus pour table de formation	MODEL #	TRAINING TABLE BASE Base de mesa de entrenamiento Socle à table de formation
	<b>ALE-VA72HR4824</b> X 1	Metal leg base Base de pata metálica Base en métal pour patte <b>A</b> X 2
	<b>ALE-VA72TZ4824</b> X 1	Folding frame Marco plegable Structure pliante <b>B</b> X 1
	<b>ALE-VA72RE3624</b> X 1	<b>C</b> X 6
	<b>ALE-VA72RE4824</b> X 1	<b>D</b> X 1
	<b>ALE-VA72RE6024</b> X 1	<b>E</b> X 4
	<b>ALE-VA72RE7224</b> X 1	<b>F</b> X 4
		<b>G</b> X 4
		<b>H</b> X 2
		Optional Fixed Glides <b>I</b> X 4
		<b>J</b> X 1

**1**

• Optional fixed glides can be substituted for the casters



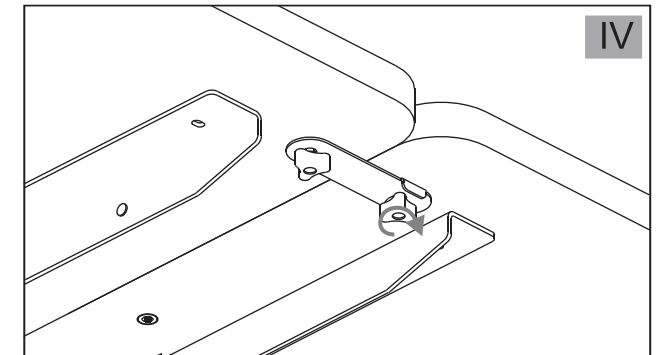
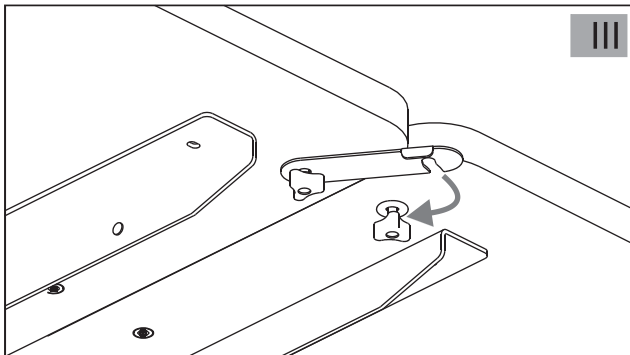
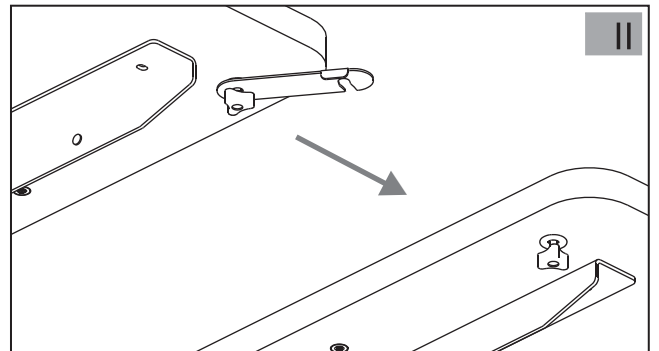
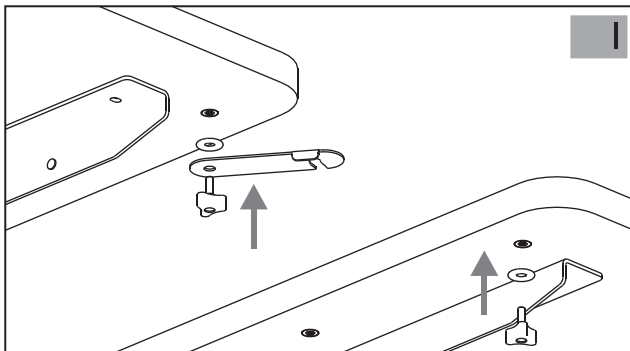
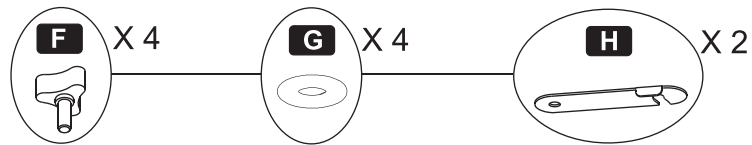
- Skip the steps if they were assembled at the factory.
- Saltee los pasos hechos en fábrica.
- Ignorer les étapes qui ont été assemblées à l'usine.

**2****2nd**

- LIFT UNIT INTO UPRIGHT POSITION.
- Coloque la unidad con la tapa hacia arriba.
- Tourner l'unité sur ses pattes.

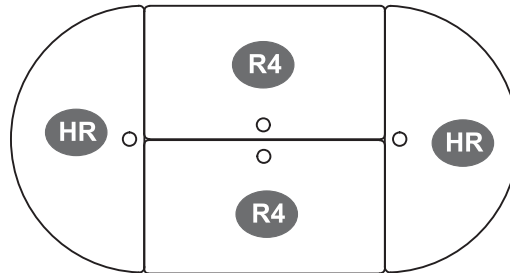
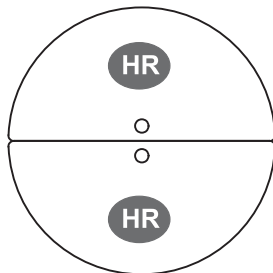
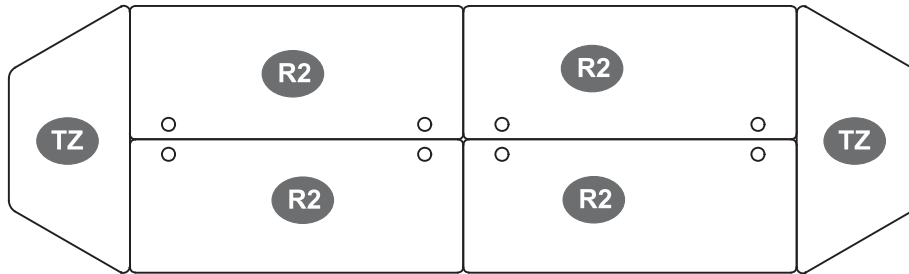
NOTE: TABLE CAN BE LEVELED BY ADJUSTING CASTERS

**JOIN TWO TABLE TOPS, IF APPLICABLE**  
**Unión de mesas, en caso de ser necesario**  
**Si nécessaire, joignez les deux dessus de table**

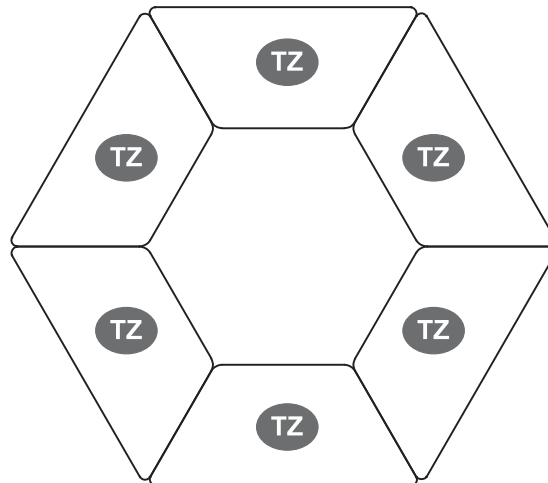


# OPTIONAL - CONFIGURATIONS

Opcional - configuraciones  
Configurations - Optionnelles



<b>HR</b>	<b>ALE-VA72HR4824</b>
<b>TZ</b>	<b>ALE-VA72TZ4824</b>
<b>R1</b>	<b>ALE-VA72RE3624</b>
<b>R2</b>	<b>ALE-VA72RE6024</b>
<b>R3</b>	<b>ALE-VA72RE7224</b>
<b>R4</b>	<b>ALE-VA72RE4824</b>





## LIMITED 5-YEAR WARRANTY

Except as otherwise provided within this Limited Warranty, Essendant Co. (Essendant) will repair or replace any Alera® and other Essendant branded furniture products, component or part that is found by to be defective in material or workmanship within five (5) years from the date of original purchase so long as you, the original purchaser, still own it. This is your sole and exclusive remedy. This limited warranty is subject to the provisions below. It applies to products sold within the United States of America and the Commonwealth of Canada.

### Limitations:

- Fabric, vinyl and/or leather is warranted for two (2) years from the date of original purchase of the chair by the original owner of the Alera® product in question.

### Exclusions:

This warranty does not apply and no other warranty applies to:

- Normal wear and tear, which are to be expected over the course of ownership
- Modifications or attachments to the product that are not approved by Essendant
- Products that were not installed, used or routinely and properly maintained in accordance with product instructions and warnings
- Products used for rental purposes

### Color variations in fabrics and finishes:

Essendant does not warrant the color-fastness or matching of colors, grains or textures of covering materials. TO THE EXTENT ALLOWED BY LAW, ESSENDANT DISCLAIMS ALL OTHER WARRANTIES, EITHER EXPRESS OR IMPLIED, INCLUDING ANY WARRANTY OF MERCHANTABILITY OR FITNESS FOR A PARTICULAR PURPOSE. ESSENDANT WILL NOT BE LIABLE FOR ANY CONSEQUENTIAL OR INCIDENTAL DAMAGES.

### Notice to Purchasers for home or personal use:

Federal law does not permit the exclusion of certain implied warranties for consumer products. Therefore, if you are purchasing this product for home or personal use, the exclusion of implied warranties noted in the above paragraph may not apply to you. Some states do not allow the exclusion or limitation of incidental or consequential damages, so the above limitation or exclusion may not apply to you. This warranty gives you specific legal rights, and you may also have other rights which vary from state to state.

### To obtain service under this warranty:

Your Alera® Reseller will work with Essendant in supporting your warranty requests. Please note: Written authorization of Essendant must be obtained before any warranty work is performed. To obtain authorization and to ensure the best level of customer service, please take the following steps:

1. If a defect is discovered, please contact the Reseller from whom the product was purchased within 30 days from the date of discovery. The Reseller will require information about the product such as: the SKU number, serial number and/or registration number or date of manufacture from the product in question and/or any original transaction documents affirming that you are the original purchaser of this product.
2. Following your claim, your Reseller will conduct an inspection and review. During this time your Reseller or their appointed servicing agent will gather information regarding the claim, inspect the product and contact an Essendant customer service representative. Please allow a reasonable amount of time for these activities. A customer service representative or another representative of Essendant will determine whether to provide
3. replacement parts, authorize repairs or replace the product providing Essendant affirms that the product in question is eligible under the conditions of the warranty as stated above.



# **California 93120**

## **Compliant for Formaldehyde Phase 2**

*The California Air Resources Board (CARB) approved an Airborne Toxic Control Measure (ATCM) to reduce formaldehyde emissions from composite wood products including hardwood, medium density fiberboard and particleboard. These finished goods are low in formaldehyde emissions and comply with the ATCM.*

Manufactured for Alera®/Essendant Co.  
One Parkway North, Deerfield, IL 60015